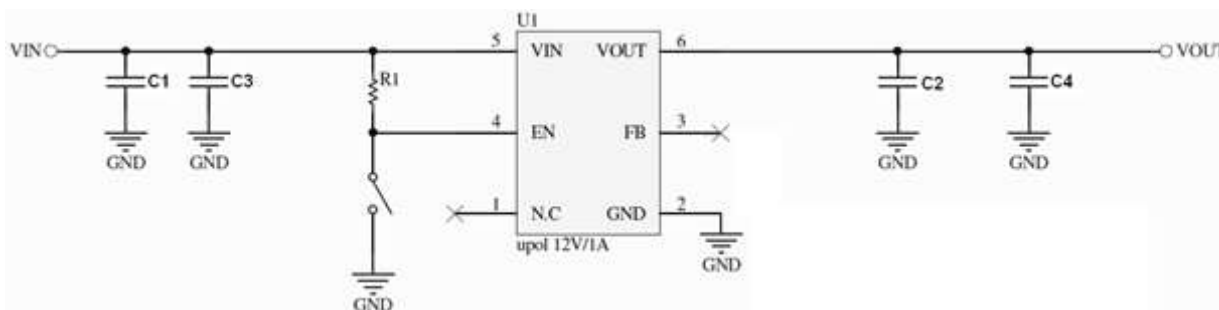


MUN123C01-SGX 1A uPOL Module EVB Guide

ELECTRICAL SPECIFICATION:

Parameters	Symbol	Value	Unit
Input Voltage	VIN	4.5~16.0	V
Output Voltage	VOUT	3.3	V
Output Current	IOUT	1	A

EVALUATION BOARD SCHEMATIC:

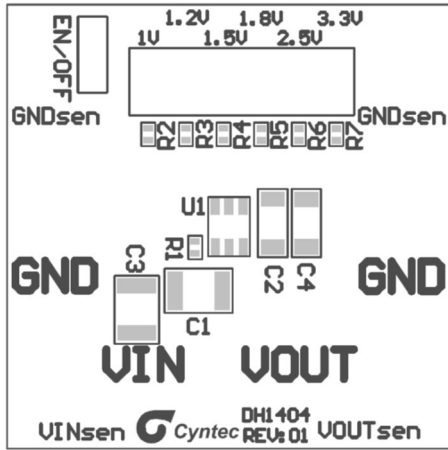


BILL OF MATERIALS:

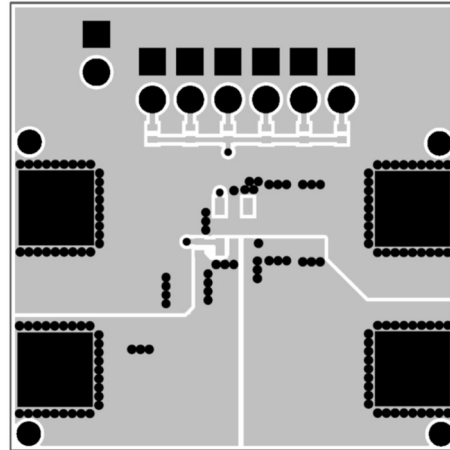
Ref.	Value	Description	Package
C1	10uF	25V	0805
C2	22uF	10V	1206
C3		N.C.	
C4		N.C.	
R1	100k	Chip Res, +/-0.5%	0402
U1	1 A	MUN123C01-SGX 1A uPOL Module (3.9mmx2.6mmx1.9mm)	DFN

MUN123C01-SGX 1A uPOL Module EVB Guide

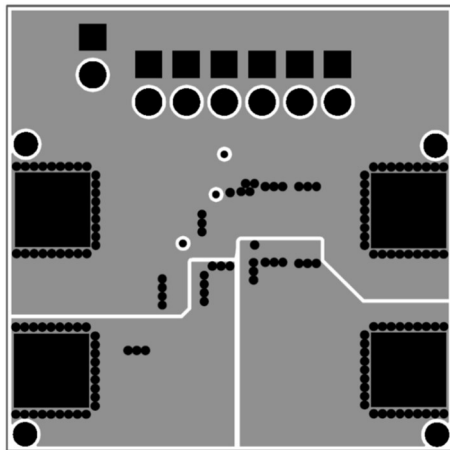
PRINTED CIRCUIT BOARD LAYOUT:



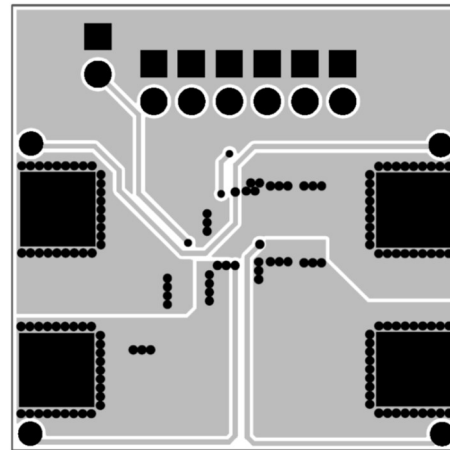
Components Location on Bottom



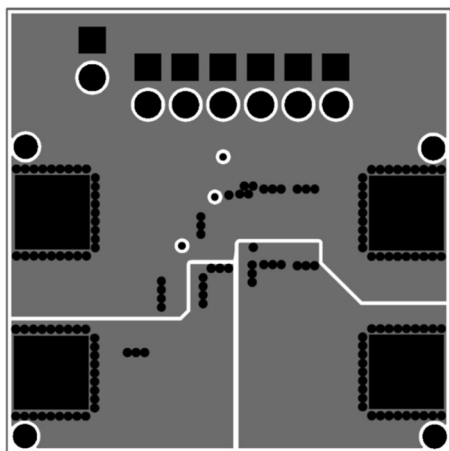
Top Layer



Mid Layer1



Mid Layer2



Bottom Layer

MUN123C01-SGX 1A uPOL Module EVB Guide

REVERSION HISTORY:

Date	Revision	Changes
2018.06.25	00	Preliminary EVB guide.